

**Shake and Shoot**

# TILE BOND<sup>®</sup>

**Set Tile in Record Setting Time**



*Portable, disposable one component polyurethane adhesive*

*Quick and easy tile installation or repair--saves valuable labor*

*Applicator training and licensing program*

*Meets up to 140 mph wind speeds in specific applications*

*Eliminates nailing on roofs with pitches up to 6:12*

*Uses two pad placement method*

*Yield--approximately 750 field tiles*



EVALUATION REPORT #9744

**ROOF  
TILE  
ADHESIVE**

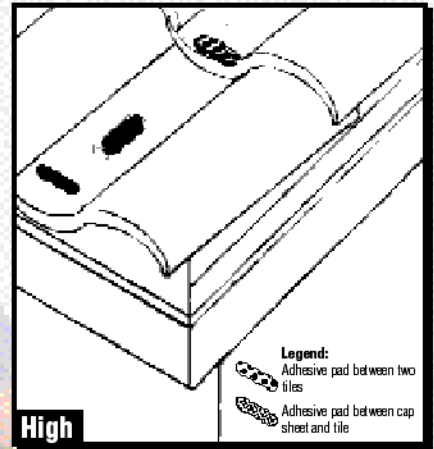
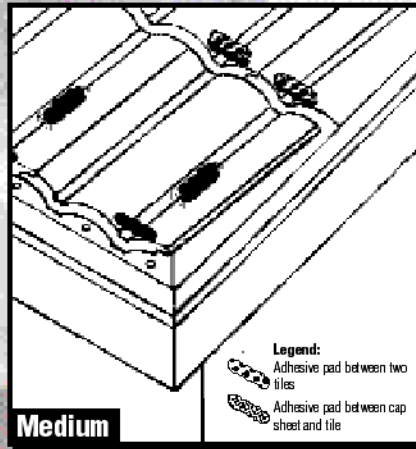
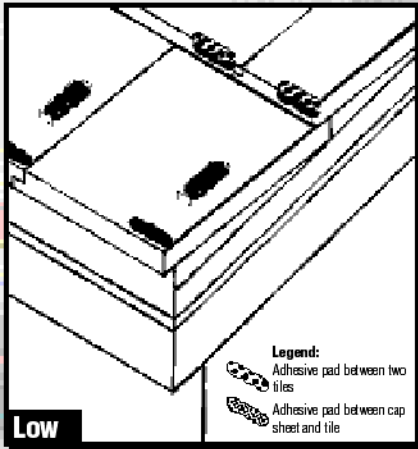
*UL Class I Listed  
(ASTM E-84)*

*Class A Rated  
(ASTM E-108)*

**800-800-3626**

Patents Pending

# Tile Bond works on all profile tiles



## Advantages

*Superior attachment strength over other methods*

*Eliminates expensive heavy equipment*

*Reduces tile breakage and material costs*

*Dispenses consistent quality adhesive*

*Minimizes nail penetrations*

*Lightweight material--reduces roof load*

*Easier and quicker to learn than other methods*

## Other Roofing Products from Flexible Products Company



### INSTA-STIK

#### *The Fast Fastener*

- Proven, cost-effective method for attaching roofing components to a roof deck
- Factory Mutual Class 1-60, 1-90 and 1-180 approvals
- UL 1897 Listed for steel decks
- Metro Dade County Florida windstorm and fire classifications for monolithic deck applications



### ROOFPAK

#### *Temporary tie-off in minutes*

- Formulated specifically for roofing applications
- Reduces labor costs
- Guarantees you'll save time and money
- Instant watertight protection to roofing system and building interior



**Flexible Products Company**  
 2050 North Broadway  
 Joliet, Illinois 60435-3187

[www.flexibleproducts.com](http://www.flexibleproducts.com)

Telephone: 815-774-6500  
 Toll Free: 800-800-FOAM  
 Telefax: 815-774-6522

e-mail: [stik-it@flexpro.com](mailto:stik-it@flexpro.com)

©1998 Flexible Products Company  
 All rights reserved.  
 Rev.02/98

IF-0486